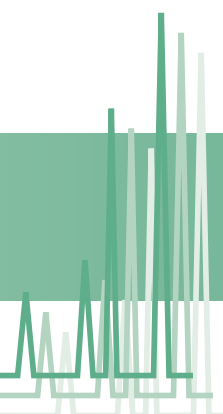




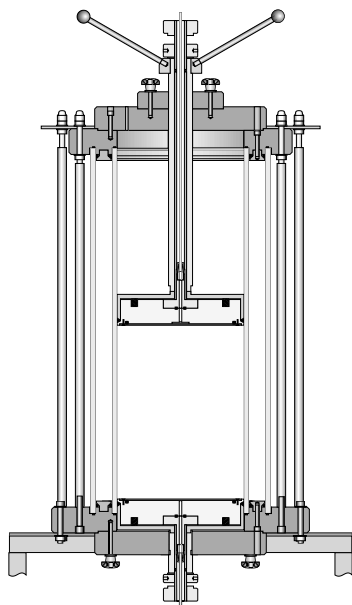
Pilot Columns



General

Features

- Biocompatible
- Solvent resistant version (optional)
- Height adjustable plunger
- Heating/cooling jackets available (optional)
- Custom tailored for each application
- Full stainless steel versions with extended pressure ratings available



Pilot columns are designed for use in pilot and production scale applications with organic solvents (version SR) or aqueous buffers (version AB), which makes them applicable for all common methods in chromatography including normal phase, reversed phase or bio-chromatography. High precision CNC manufacturing of plungers and distribution plates provides outstanding flow distribution for a linear flow distribution profile. Precise and reliable bed height adjustment is achieved by hand wheel adjusters on the plunger. Versatility of mounting includes fixed stand, wheeled trolley or direct into plant.

All materials are in compliance with FDA regulations. Certification and full documentation is available for validation purposes. The use of borosilicate glass and a completely metal-free construction guarantees top hygiene standards (no un-rinsed areas, no dead volumes).

Characteristics

Column Body:	calibrated borosilicate glass, acrylic glass or stainless steel
Pressure limit:	depending on column body; 1-30bar for glass columns, 50bar for stainless steel columns
Temperature range:	aqueous buffer version (AB): up to 40 °C solvent resistant version (SR): up to 70 °C
Wetted parts:	borosilicate glass, stainless steel, PTFE or polyethylene EPDM, Viton® or Kalrez® seals, stainless steel or polyethylene frits
Diameter:	60mm, 100mm, 140mm, 200mm, 300mm, 450mm, 600mm (others on demand)
Lengths:	400mm, 750mm (others on demand)
Connections:	stainless steel – SR version or polyethylene – AB version

Applications

- Gel permeation
- Ion exchange
- Hydrophobic interaction
- Affinity
- Reversed phase
- Normal phase

Areas of application: *AB Series* columns are suitable for use with salts and detergents, ethanol and methanol, 6M urea, 7M guanidinium chloride, 2M NaCl and 3M ammonium sulphate.

The *SR Series* columns lend themselves to chromatography with silica gels and reversed phase materials as well as chiral stationary phases, which allows the use of solvents such as methylene chloride, acetone, toluene, THF etc.

Flow distributor for
PILOT glass columns



Specifications

Model	ID [mm]	Bed height [mm]	Volume		Cross section [cm ²]	Max. pressure [bar]
			min	max		
PI60/400	60	180-400	0.5	1.1	28.3	30
PI60/750	60	530-750	1.5	2.1	28.3	30
PI100/400	100	100-400	0.78	3.1	78.5	10
PI100/750	100	450-750	3.5	5.9	78.5	10
PI140/400	140	100-400	1.5	6.1	154	7
PI140/750	140	450-750	6.9	11.5	154	7
PI200/400	200	100-400	3.1	12.5	314	4
PI200/750	200	450-750	14	23.5	314	4
PI300/400	300	100-400	7	28	706.5	1.5
PI300/750	300	450-750	32	52	706.5	1.5

Components wetted by the media

Series	Capillary inlet	Frits	Seal	Column body	Temperature range
SR (Solvent Resistant)	Stainless steel 1/4"	Stainless steel	Kalrez®	KPG glass	2 - 70 °C
AB (Aqueous Buffer)	Polyethylene 1/4"	Polyethylene	EPDM	KPG glass	2 - 40 °C

Chromatography columns for pilot- and process scale

Glass and steel columns for aqueous-based (Version AB = Aqueous Buffer) or organic solvent applications (Version SR = Solvent Resistant).

Diameter 60 mm - 600 mm, column length according to guidelines

Individual adaptation to local circumstances



Pilot column
Ø 200 mm x 300 mm
with cooling jacket,
swivelling,
with drip tray
for column packing.



Levelling guide to help you assemble the column correctly.



Notched wheels to fix a rotating column body.

Chromatography columns for pilot- and process scale

Besides standard versions, PILOT columns can also be adapted to the individual wishes of the user. Adaptable options are an inner diameter up to 600 mm, bed lengths up to 150 mm, the materials used, height adjustment of the piston and the shape of a column stand or other support.



Column head of a stainless steel 100 x 1000 mm column, 50 bar, with swivelling column body.



Ø 600 mm column as a special reactor for coating processes. Integrated level indicators assist assembly / disassembly for maintenance purposes.



Ø 600 mm column, slurry outlet with separate tap, quadruple eluent outlet.

Questionnaire for Kronlab Pilot columns

For help in selecting your column in glass or steel, for dimensions which are not standard or for a pre-packed column, please fill in and send back to:

FAX-No. +49(0)2064/427-115

- inner diameter (mm): _____
- min. bed length (mm): _____
- max. bed length (mm): _____
- max. pressure (bar): _____
- material column body: glass acrylglass stainless steel
- O-ring material: EPDM Viton® Kalrez®
- biocompatibility: yes no
- frit material: PE stainless steel Titanium
- porosity (µm): _____
- capillary connections: PE PTFE stainless steel
- capillary outer diameter: 1/8" 1/4" 1/2"
- capillary connection
with valves: yes no
- tempering jacket: yes no
- temperature range _____
- packing device: yes no
- packing material: _____
- solvents: _____

Company/Institute: _____

Name: _____

Department: _____

Street: _____

City: _____

Phone: _____

Fax: _____

E-mail: _____

Website: _____

European Distributors



www.pineco.net



www.teknolab.no



www.scanteclab.se



www.mikrolab.dk



www.hichrom.co.uk
www.crawfordscientific.com
www.kinesis.co.uk



www.apexscientific.ie
www.agb.ie



adao.araujo@elnor.com



comercial@teknokroma.com
elnoriberica@elnoriberica.com



www.interchim.com
www.cluzeau.com
www.aifrance.net



www.achrom.be



www.inacom.nl



www.ymc.de



www.stagroma.com



www.cps.it



www.cp-analytica.at



www.lab-comp.hu
 Preparative HPLC /
 Systems / Bulk Media:
www.edisonhouse.hu



www.terralab.com.tr
www.kutaygroup.com



www.cast-sa.co.za



ophir-ana@bezegint.net



www.fizlabpribor.ru



www.armgate.lt



www.armgate.lt



www.armgate.lt

For all other countries from Europe, Middle East or Africa kindly refer to YMC Europe GmbH, Phone (49) 0 20 64 / 427-0, Fax (49) 0 20 64 / 427-222, E-mail: info@ymc.de, Website: www.ymc.de.

KRONLAB

CHROMATOGRAPHY TECHNOLOGY

The Engineering Division of YMC Europe GmbH
Schöttmannshof 19 · D-46539 Dinslaken
Phone: +49(0)2064/427-0 · Fax +49(0)2064/427-115
E-mail: info@ymc.de · www.ymc.de

Austria:

OmniChrom HandelsgmbH

Frömmelgasse 40-42/15 · A-1210 Wien
Phone +43(0)1 2785701 · Fax +43(0)1 2727574
www.ymc.de

Switzerland:

STAGROMA

Chr.-Merian-Ring 31a · CH-4153 Reinach
Phone +41(0)61 717 8 717 · Fax +41(0)61 717 8 710
www.stagroma.com